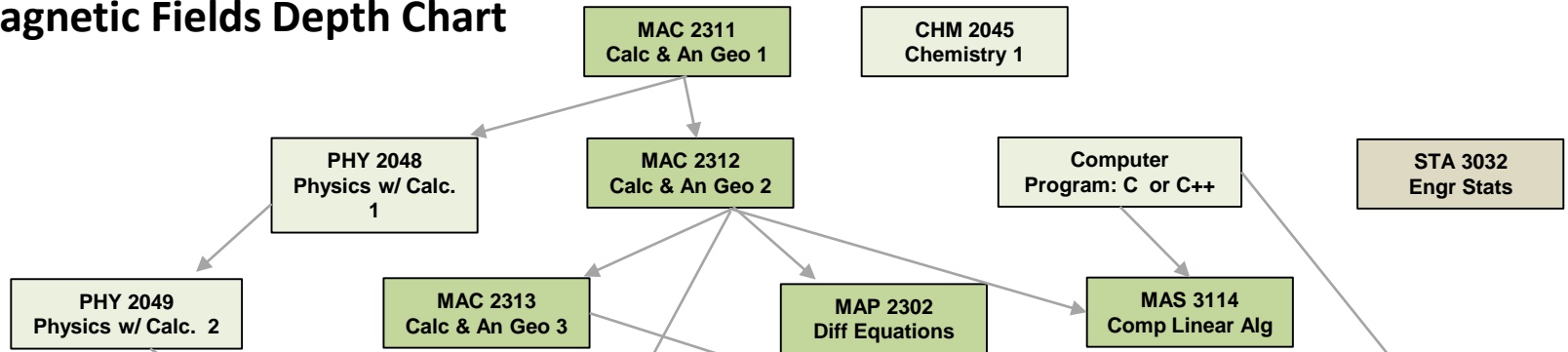
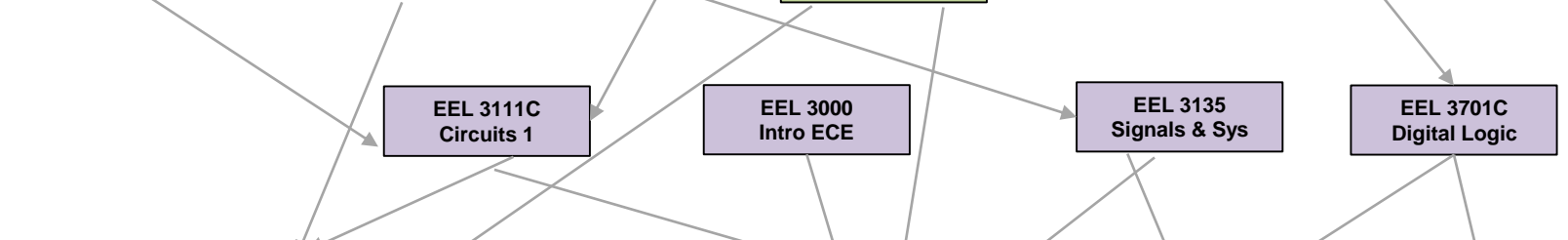


2018-19 BSEE Curriculum: Electro-magnetic Fields Depth Chart

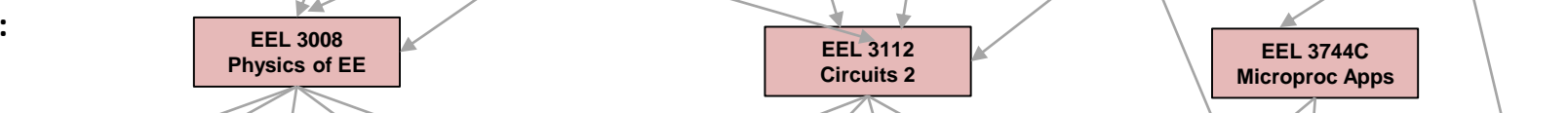
Preparation:



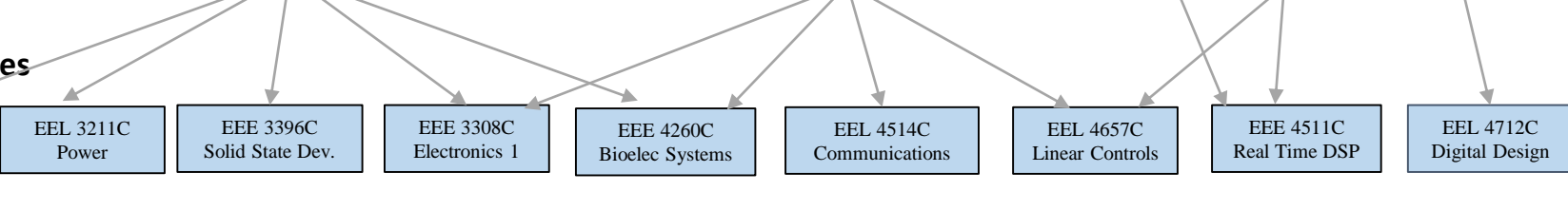
Introductory:



Foundational:



Breadth:
Select 3 courses



EEL3742C-Electromagnetic Fields and Applications 1 Depth Chart:

- EEL4412/EEL5417- App Mag & Mag Mtls
- EEL4421- RF/Microwave Passive Circuits
- EEL4440- Optical Communication Systems
- EEL4446/EEL5447- Laser Theory & Design
- EEL4458/EEL5441- Fund. Of Photonics
- EEL4461- Antenna Systems

- EEL4473/EEL6486 E-mag Fields & Apps 2
- EEL4495 Lightning
- EEL4540/EEL5547- Intro to Radar
- EEL4930/EEL5934- Acoustics
- EEL5451L- Photonics Lab
- EEL6487- E-Mag Fields & Apps 3

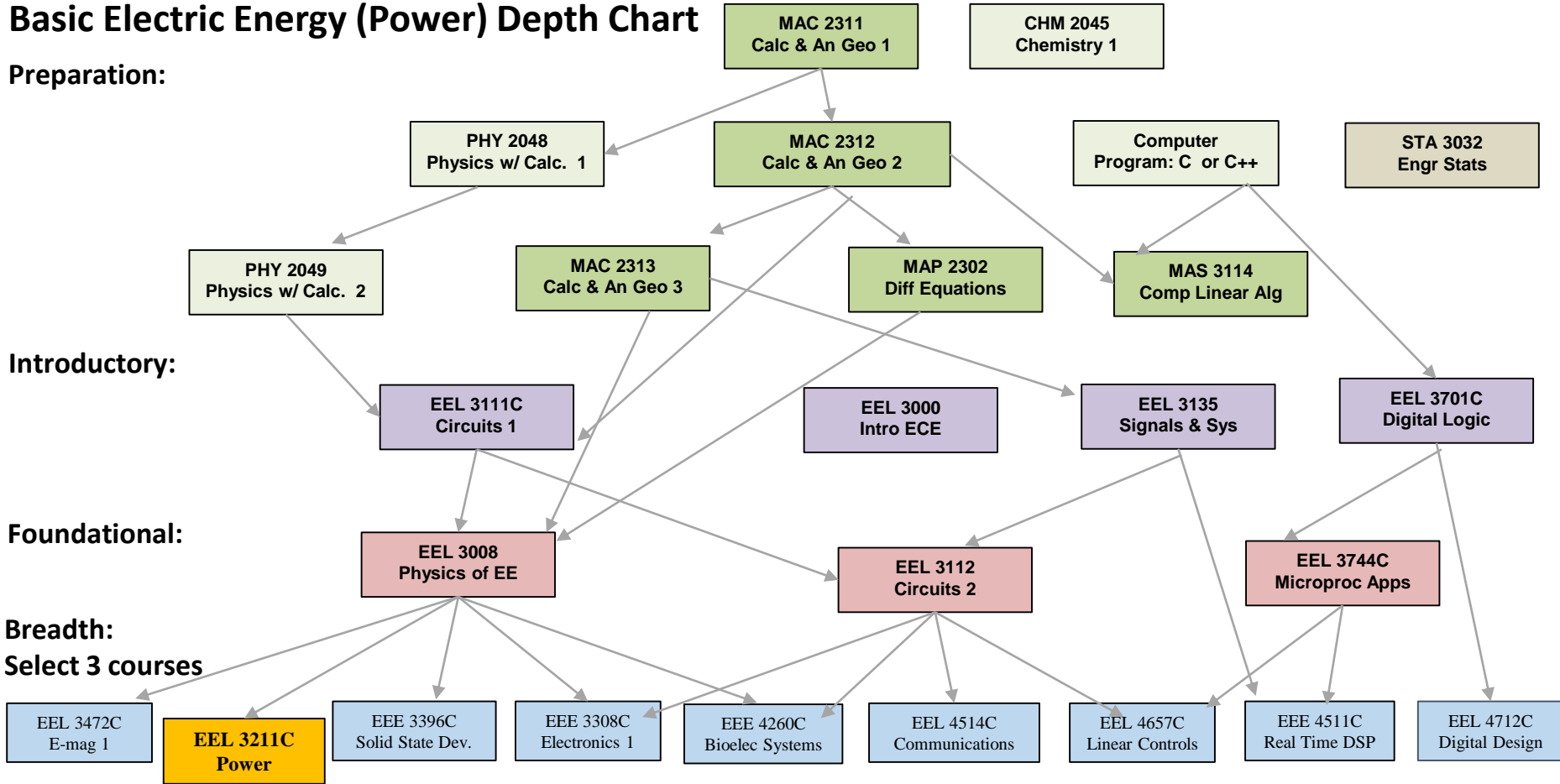
2018-2019 BSEE Curriculum: Basic Electric Energy (Power) Depth Chart

Preparation:

Introductory:

Foundational:

Breadth:
Select 3 courses



EEL3211C Basic Electric Energy (Power) Depth Chart:

- EEL4242C-Power Electronics Circuits
- EEL4251/EEL5934-Power Systems Analysis
- EEL4271/EEL5934- Power Systems Protect
- EEL4287/EEL5934- Smart Grid

2018-2019 BSEE Curriculum: Solid State Devices Depth Chart

Preparation:

MAC 2311
Calc & An Geo 1

CHM 2045
Chemistry 1

PHY 2048
Physics w/ Calc. 1

MAC 2312
Calc & An Geo 2

Computer
Program: C or C++

STA 3032
Engr Stats

PHY 2049
Physics w/ Calc. 2

MAC 2313
Calc & An Geo 3

MAP 2302
Diff Equations

MAS 3114
Comp Linear Alg

Introductory:

EEL 3111C
Circuits 1

EEL 3000
Intro ECE

EEL 3135
Signals & Sys

EEL 3701C
Digital Logic

Foundational:

EEL 3008
Physics of EE

EEL 3112
Circuits 2

EEL 3744C
Microproc Apps

Breadth:

Select 3 courses

EEL 3472C
E-mag 1

EEL 3211C
Power

**EEE 3396C
Solid State
Dev.**

EEE 3308C
Electronics 1

EEE 4260C
Bioelec Systems

EEL 4514C
Communications

EEL 4657C
Linear Controls

EEE 4511C
Real Time DSP

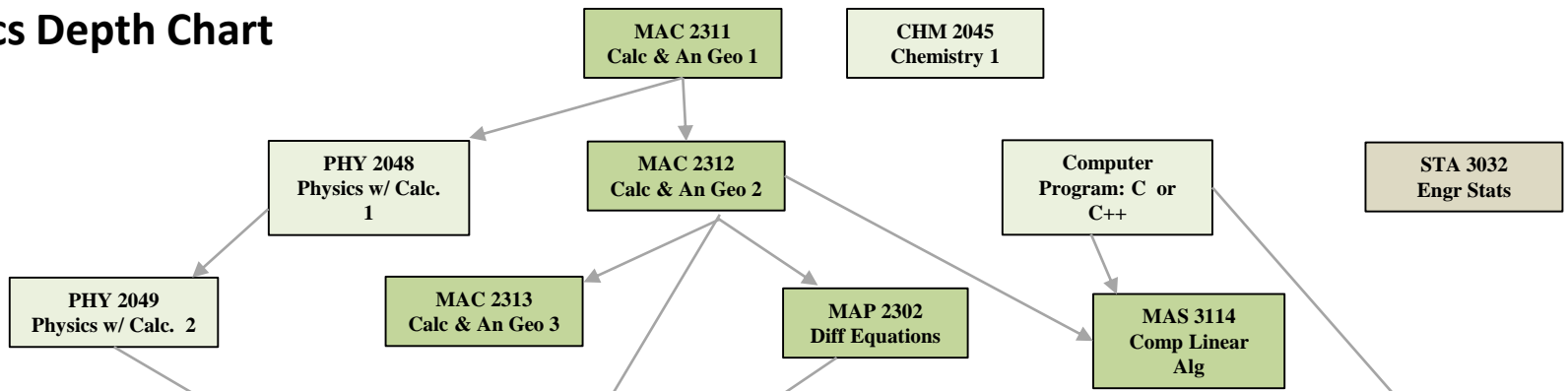
EEL 4712C
Digital Design

EEE3396C Solid State Devices Depth Chart:

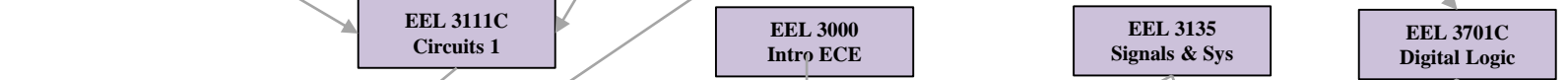
- EEE 4329/5400- Future of Microelec. Tech.
- EEE 4331/5406- Microelec Fab Tech
- EEE 4420/5426-Intro to Nanodevices
- EEL4440- Optical Communications Systems
- EEE 4930/5225-Principles of MEMS
- EEE6428 Computational Nanoelectronics

2018-2019 BSEE Curriculum: Electronics Depth Chart

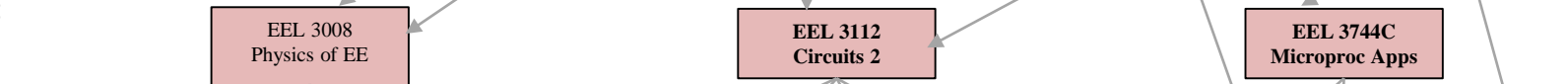
Preparation:



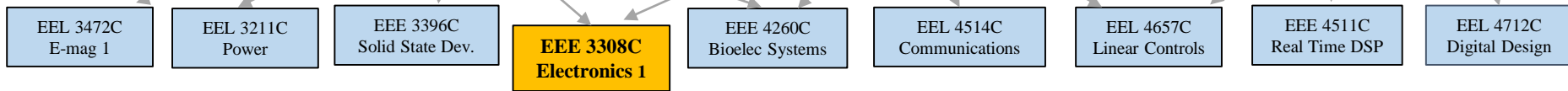
Introductory:



Foundational:



Breadth:
Select 3 courses



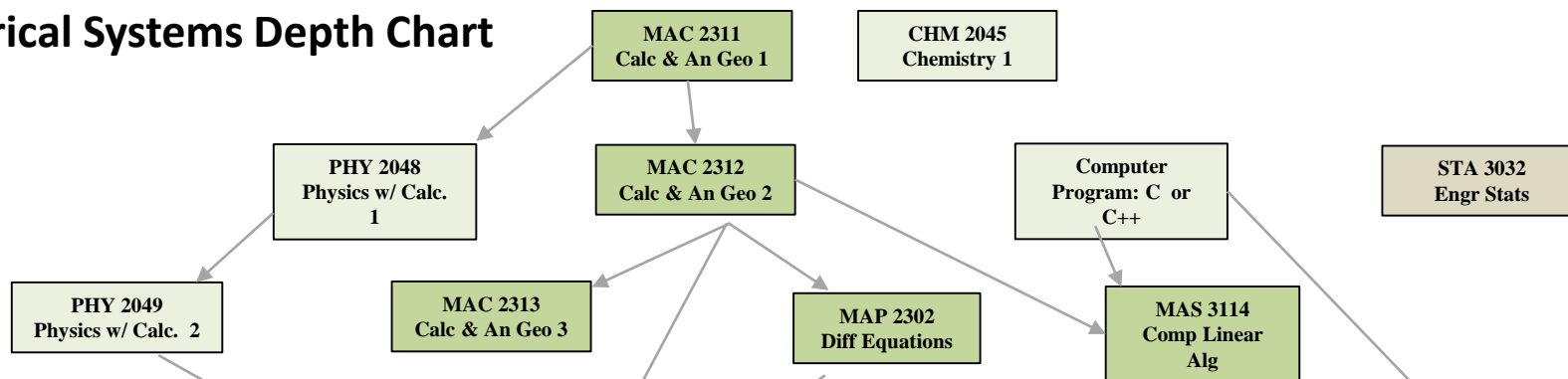
EEE3308C Electronics Depth Chart:

EEE4306/5320 Electronic Circuits 2
 EEE4310/5322 Digital Integrated Circuits
 EEE4373/5934 RF Electronics
 EEE4404/5408 Mixed IC Test
 EEL4242C/5317 Power Electronics
 EEL4930 IC Test 2

EEE5364 Fund. Data Convert
 EEE6321 Analog IC Design 2
 EEE6323 Digital IC Design 2
 EEE6328 Microwave IC
 EEE6374 RF CKts & Systems
 EEL6935 IC Test 2

2018-2019 BSEE Curriculum: Bio-Electrical Systems Depth Chart

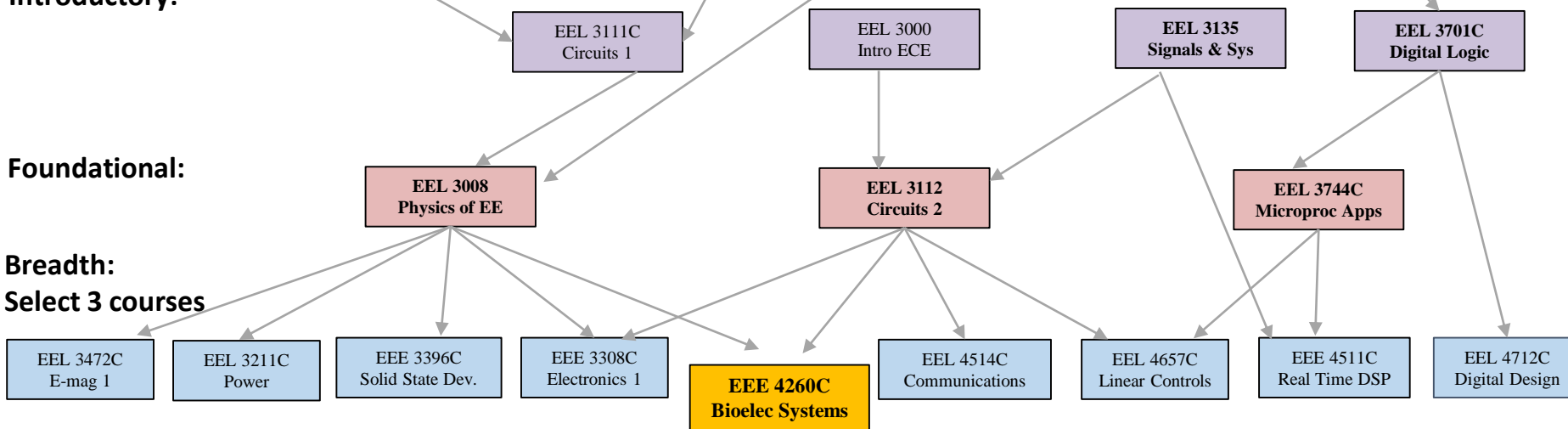
Preparation:



Introductory:

Foundational:

Breadth:
Select 3 courses



EEE4260C Bioelectrical Systems Depth Chart:

EEL4930/5934 Biophotonics
EEL6287 Brain Machine Interfaces

Approved BME Depth Courses
BME4503/L Biomedical Instrumentation
BME4531-Medical Imaging
BME4931 Neural Systems Model*
BME4361 Neural Engineering*

Approved BME Technical Electives
BME4160- Magnetic Biomaterials
BME5704- ADV. Comp. Meth. for BME
BME6938- Neural Instrumentation

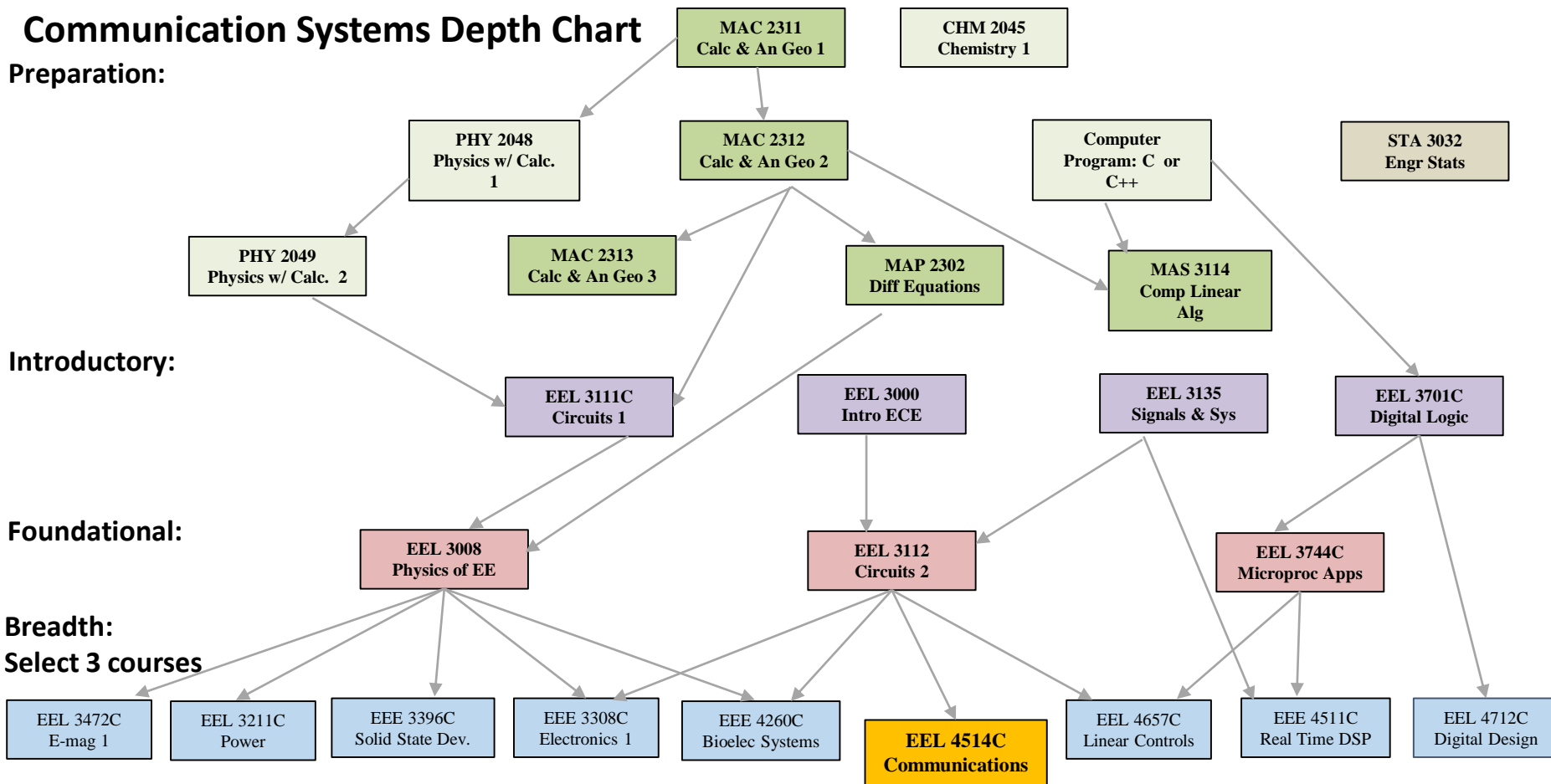
2018-2019 BSEE Curriculum: Communication Systems Depth Chart

Preparation:

Introductory:

Foundational:

Breadth:
Select 3 courses



EEL 4514C Communications Depth Chart:

- | | |
|--------------------------------|---------------------------|
| EEL 4598/5718 Data Cpr Comm | EEL 6535 Digital Comm |
| EEL 4516/5544 Noise in Lin Sys | EEL 6507 Queueing Theory |
| EEL 6591 Wireless Networks | EEL 6509 Wireless Comm |
| EEL 6532 Info Theory | EEL 6550 Error Cor Coding |
| EEL 6533 Stat Dec Theory | |

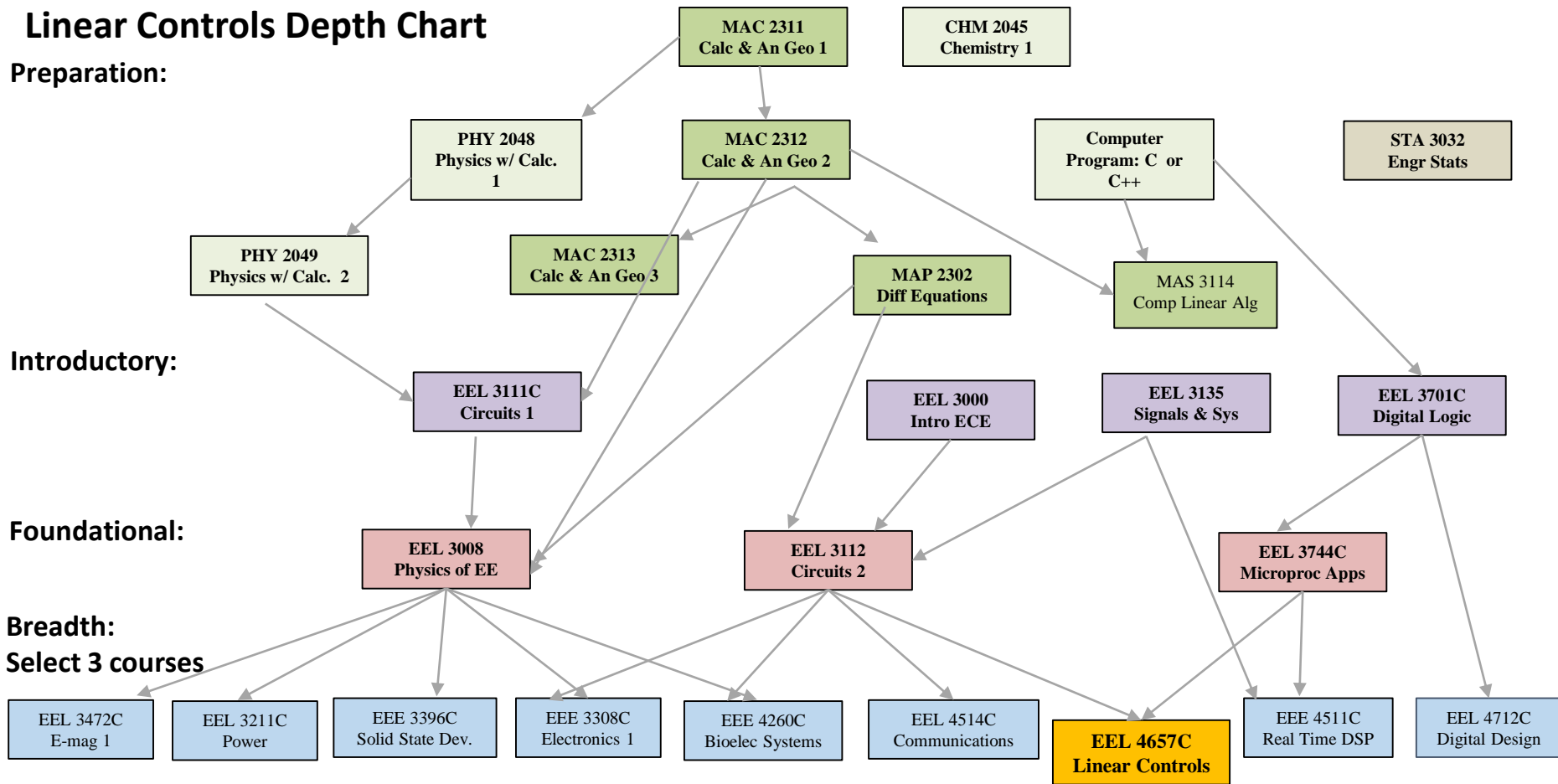
2018-2019 BSEE Curriculum: Linear Controls Depth Chart

Preparation:

Introductory:

Foundational:

Breadth:
Select 3 courses

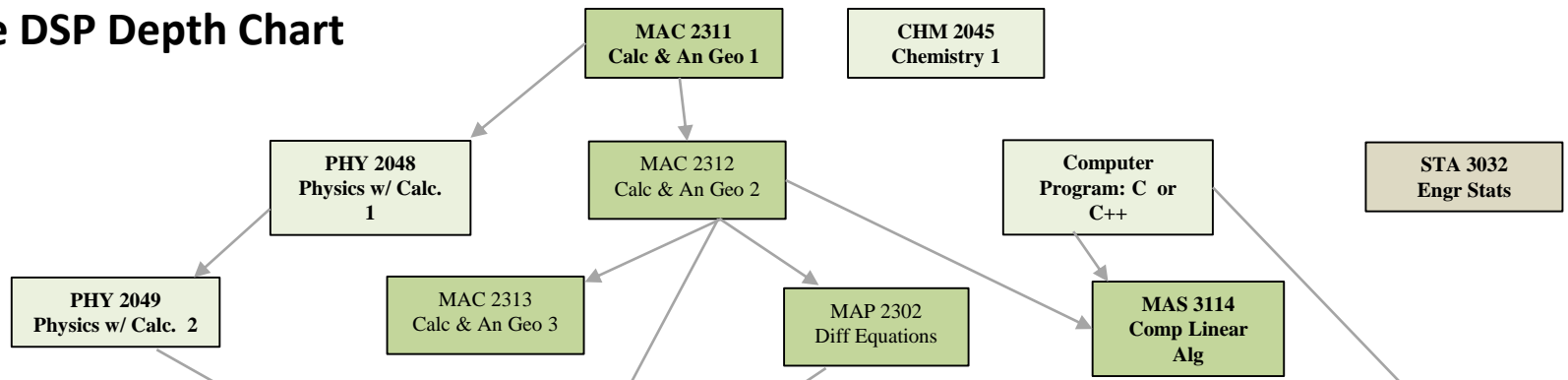


EEL 4657C Linear Controls Depth Chart:

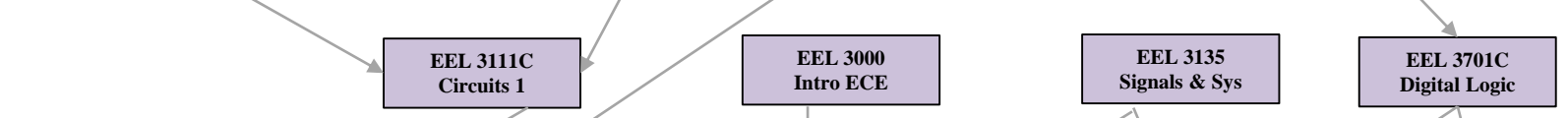
- EEL4287/EEL5934- Smart Grid
- EEL 4610/5182 State Variable Meth
- EEL 6614 Modern Control Theory
- EEL 6617 Linear Multivar Control
- EEL 6619 Robust Control System

2018-2019 BSEE Curriculum: Real Time DSP Depth Chart

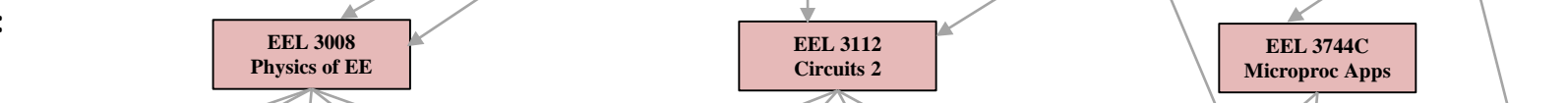
Preparation:



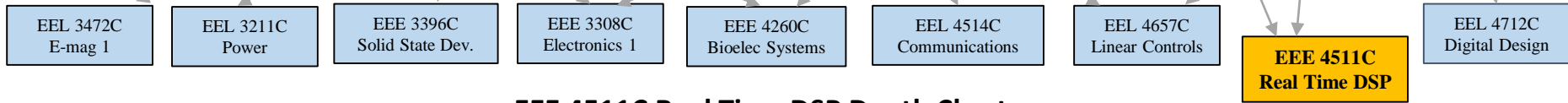
Introductory:



Foundational:



Breadth:
Select 3 courses

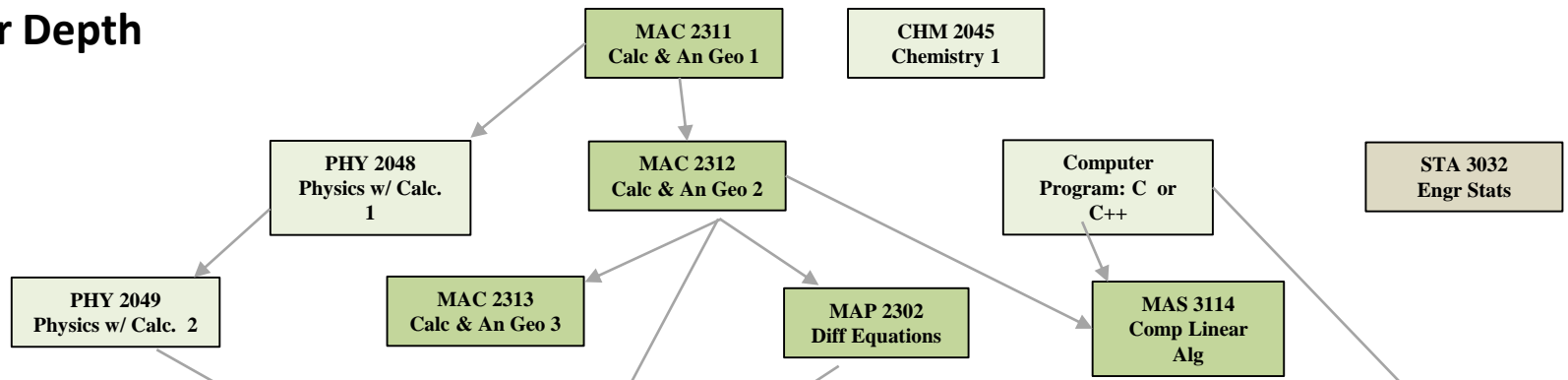


EEE 4511C Real Time DSP Depth Chart:

- EEE4750/EEE5502 Foundations of DSP
- EEE6287 Brain Machine Interface
- EEE6503 Digital Filtering
- EEE6586 Automatic Speech Proc.
- EEL6814 Neural Networks

2018-2019 BSEE Curriculum: Computer Depth

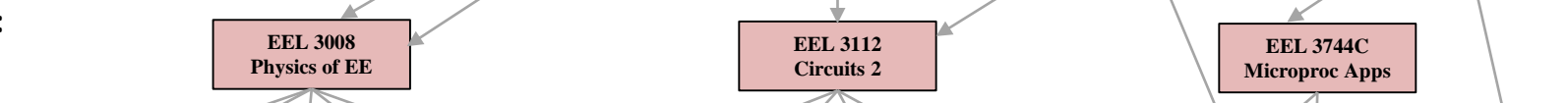
Preparation:



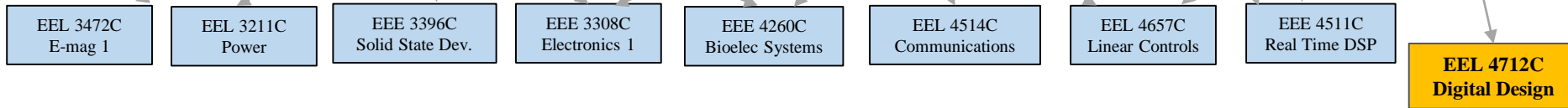
Introductory:



Foundational:



Breadth:
Select 3 courses



EEL 4712C Digital Design Depth Chart:

EEL 4713C Digital Comp. Arc
 EEL 4720/5721 Reconfig Cpr
 EEL 4736/5737 Prin Cpr Sys Design
 EEL 4930/5764 Computer Arch

EEL 6706 Fault Tolerant Cpr
 EEL 6763 Parallel Cpr Arch
 EEL6781 Automatic Cpr.
 EEL6892 Virtual Computers